

## Revolution stand-alone touchscreen deadbolt

The NEW Arrow Revolution stand-alone touchscreen deadbolt offers a high-tech, aesthetically pleasing security solution to enhance everyday deadbolt systems. Using state-of-the-art touchscreen technology, end-users can easily grant access for up to 25 individual users without the need to distribute and keep track of multiple keys. The Revolution deadbolt is simple to program easy to install in a matter of minutes.

Multi-lingual voice guided technology allows for hassle-free programming without a need for bulky manuals. For any facility application requiring an advanced featured deadbolt to control entry, the Arrow Revolution Deadbolt is the modern, ideal solution.



### Certification:

- ANSI A117.1 Accessibility Code
- Certified ANSI/BHMA A156.36, Grade 2

### Features & Specifications:

#### Electronic Elements:

- Stand-alone Touchscreen Access Locking Device
- Tri-lingual – English, Spanish, French
- High Tech Look & Feel
- Volume Levels – Full, Quiet, Off
- Easy to Use, Install, and Program
- Users:
  - 25 Users
  - Add/Delete Individual Users
- Battery Life – One Year
- Deadbolt Motor – Motorized Bolt In and Out
- Privacy Feature

#### Mechanical Components:

- Medium Duty Commercial, Grade 2
- Door Thickness:
  - 1-3/8" – 2-1/4" Thick Doors
  - 1-3/8" Requires a Special Thin Door Gasket
- Keying – Standard Cylinder or SFIC Prep.
- Key Override – Uses standard Arrow cylinders available in AR and CS keyways
- Weather Resistant – Full Wrap Around Gasket on Both Sides
- Manual Retraction – Inside Thumbturn, Clutched Motor Assembly
- Door Prep – Standard Prep; 2-1/8" Through Hole, 1" Bore Hole For Latch
- Backset – Adjustable to 2-3/4" or 2 3/8"
- Warranty – 1 year electronic, lifetime mechanical and finish, with receipt.

#### Finishes:

- US3, US10BP, US15

#### Functions:

- V2-51 Touchscreen

## Revolution Stand-Alone Touchscreen Deadbolt

ASSA ABLOY, the global leader  
in door opening solutions



ASSA ABLOY

# Revolution stand-alone touchscreen & pushbutton deadbolt

## Order Example:

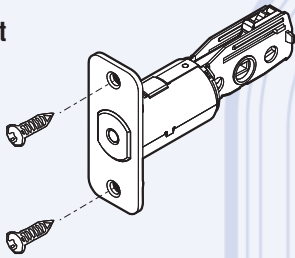
<b>Series:</b> V2	<b>Strike:</b> V2S	<b>Suffix Options:</b> KD (standard cylinder keyed different) IC (SFIC less core, not available with 41 function)
<b>Function:</b> 41 (pushbutton) 51 (touchscreen)	<b>Latch:</b> V2L	
<b>Finishes:</b> 03 (US3) 10BP (US10BP) 15 (US15)	<b>Keyway:</b> AR CS	

**Example:** To order a Revolution Touchscreen Deadbolt in satin nickel finish, rounded strike, with an adjustable backset for 2-3/8" or 2-3/4", CS keyway, keyed different:

<b>Specify:</b> V2	51	15	V2S	V2L	CS	KD
Series	Function	Finish	Strike	Latch	Keyway	Suffix Options

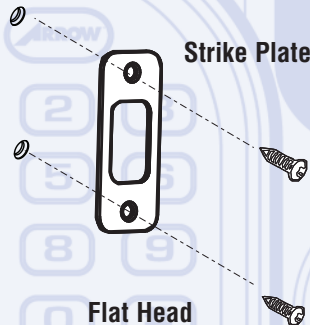
## How to Install:

### Deadbolt



#### Flat Head "Combo" Screws

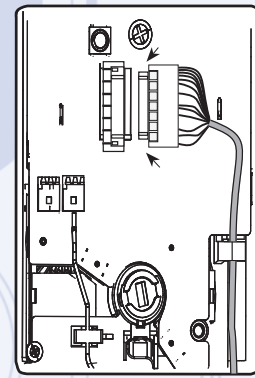
M6 x 8mm  
8-32 x 5/16"



#### Strike Plate

#### Flat Head "Combo" Screws

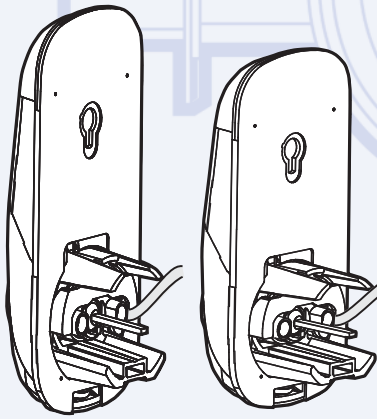
M6 x 8mm  
8-32 x 5/16"



#### Circuit Board

Cable Connector on inside circuit board

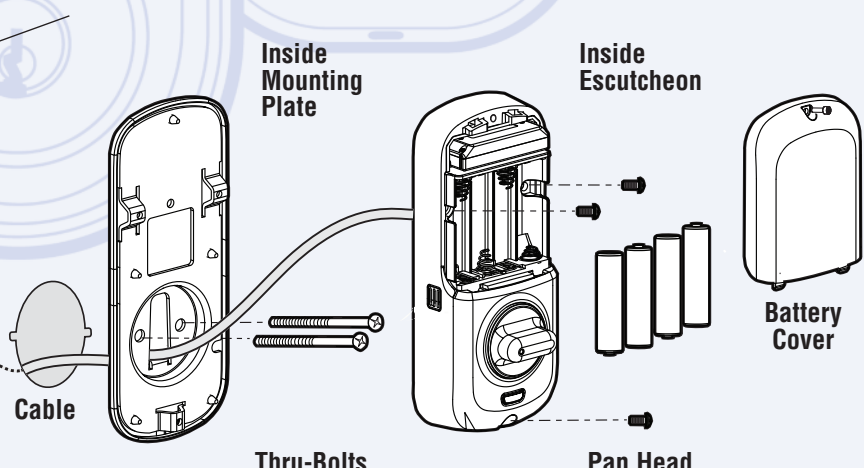
### Outside Escutcheons



V2 51  
Touchscreen

V2 41  
Pushbutton

### Inside Escutcheon



#### Inside Mounting Plate

#### Inside Escutcheon

#### Battery Cover

#### Thru-Bolts Pan Head Machine Screws

M6 x 59.5mm  
15/64 x 2-11/32"

#### Pan Head Machine Screws

M4 x 8mm  
8-32 x 5/16"

# Revolution Stand-Alone Touchscreen & Pushbutton Deadbolts

ASSA ABLOY, the global leader in door opening solutions



ASSA ABLOY