

Revolution stand-alone touchscreen lock

Features (Continued):



OverDrive™ will allow a locked lever to rotate freely without retracting the latch, improving the life and performance of Arrow locksets.

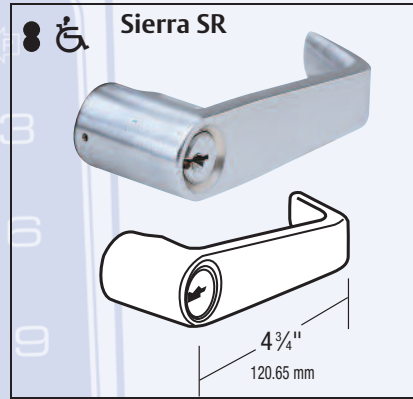
OverDrive™ – Freewheeling lever action occurs when latch retraction mechanism disengages from lever handle when handle is locked. Built-in stops in the rose insert prevent lever from traveling beyond approximately 57 degrees.

Backset – 2-3/4" (69.85mm) standard. Also available in 2-3/8" backset.

Packaging – 1 per box, 3 per case.

Note: Revolution REX Wire Harness sold separately.

Designs:

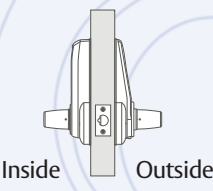
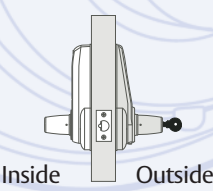


Cover Plate – Exposed holes from previously installed products can be hidden with a Revolution Cover Plate.

Finishes:



	BHMA	U.S. Equiv.	Arrow Equiv.	Finish
1	605	US3	03	Bright Brass
2	613	US10B	10B	Dark Oxide Bronze, Oil Rubbed
3	626	US26D	26D	Satin Chromium Plated

ARROW	FUNCTION	DESCRIPTION
V1-50	Touchscreen Only	 <ul style="list-style-type: none"> • For doors that do not require mechanical key override. • Latchbolt retracted by lever outside with valid pincode, or by operating lever inside. • Inside lever always active. • Deadlocking latchbolt.
V1-51	Touchscreen with Key Override	 <ul style="list-style-type: none"> • For doors that require optional mechanical key override. • Latchbolt retracted by lever outside with valid pincode; by use of mechanical key, or by operating lever inside.* • Inside lever always active. • Deadlocking latchbolt.

*Lever handles are Free Wheeling in locked position. Shaded area denotes Free Wheeling lever.

Revolution Stand-Alone Touchscreen Lock

ASSA ABLOY, the global leader in door opening solutions



ASSA ABLOY

Revolution stand-alone touchscreen lock

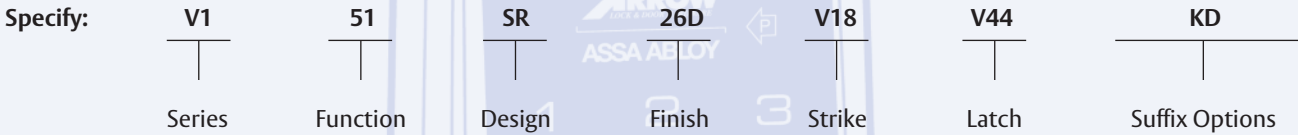
Order Example:

Series: V1
Function: 50 (touchscreen only)
 51 (touchscreen w/key override)
Trim: SR (lever w/angled return)
Finishes: 26D (US26D), US3,
 10B (US10B)

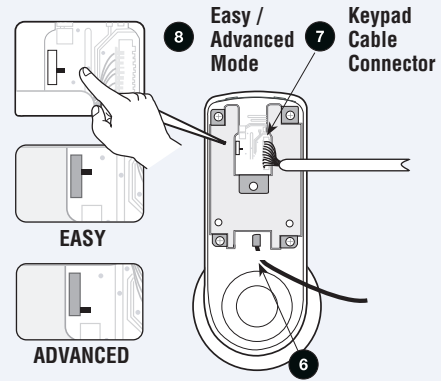
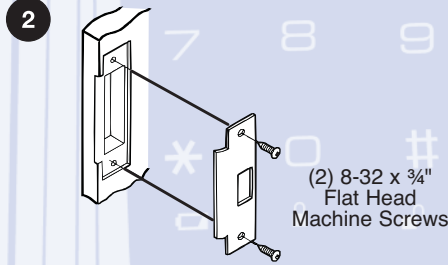
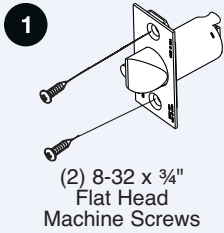
Strike: V18 (t-strike)
 V14 (ANSI strike)
Latch: V44 (2-3/4" BS x 1-1/8" front)
 V35 (2-3/4" BS x 1" front)
 V38 (2-3/8" BS x 1" front)

Suffix Options (V1-51 function only):
 KD (std. cyl. keyed different)
 LC (less std. cyl.)
 OB (0-bitted)
 IC (SFIC less core)

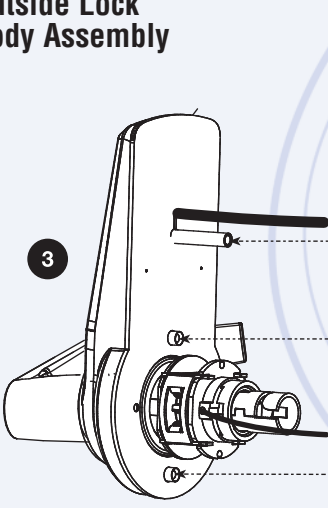
Example: To order a Revolution stand-alone touchscreen lockset with a Sierra design lever, satin chrome finish, with an ASA strike and 2-3/4" backset, keyed different:



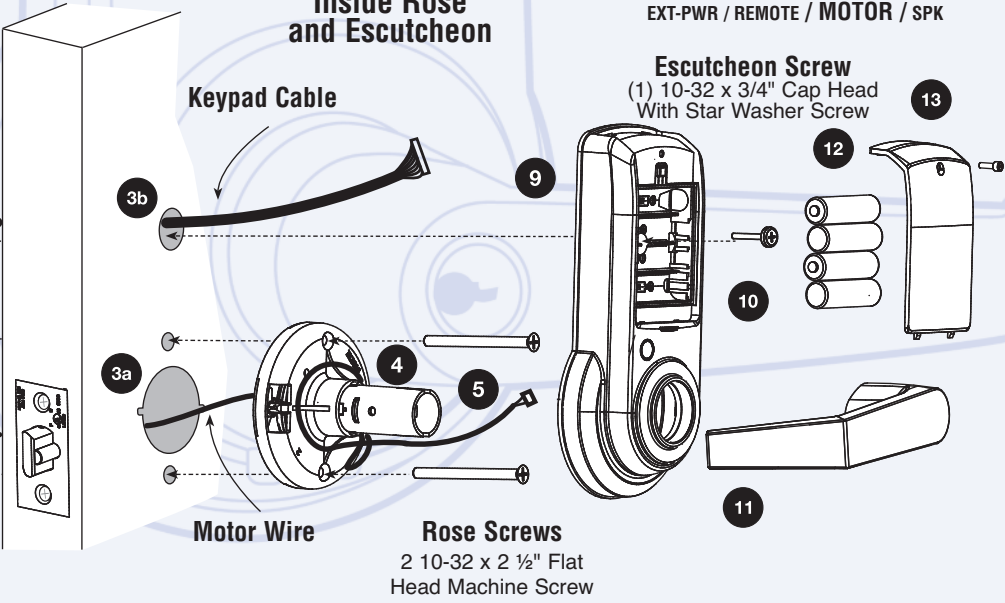
How to Install:



Outside Lock Body Assembly



Inside Rose and Escutcheon



Revolution Stand-Alone Touchscreen Lock